



Electrolux
PROFESSIONAL

Standard Preparation 2400 mm Sink with 2 Bowls & 2 Drains

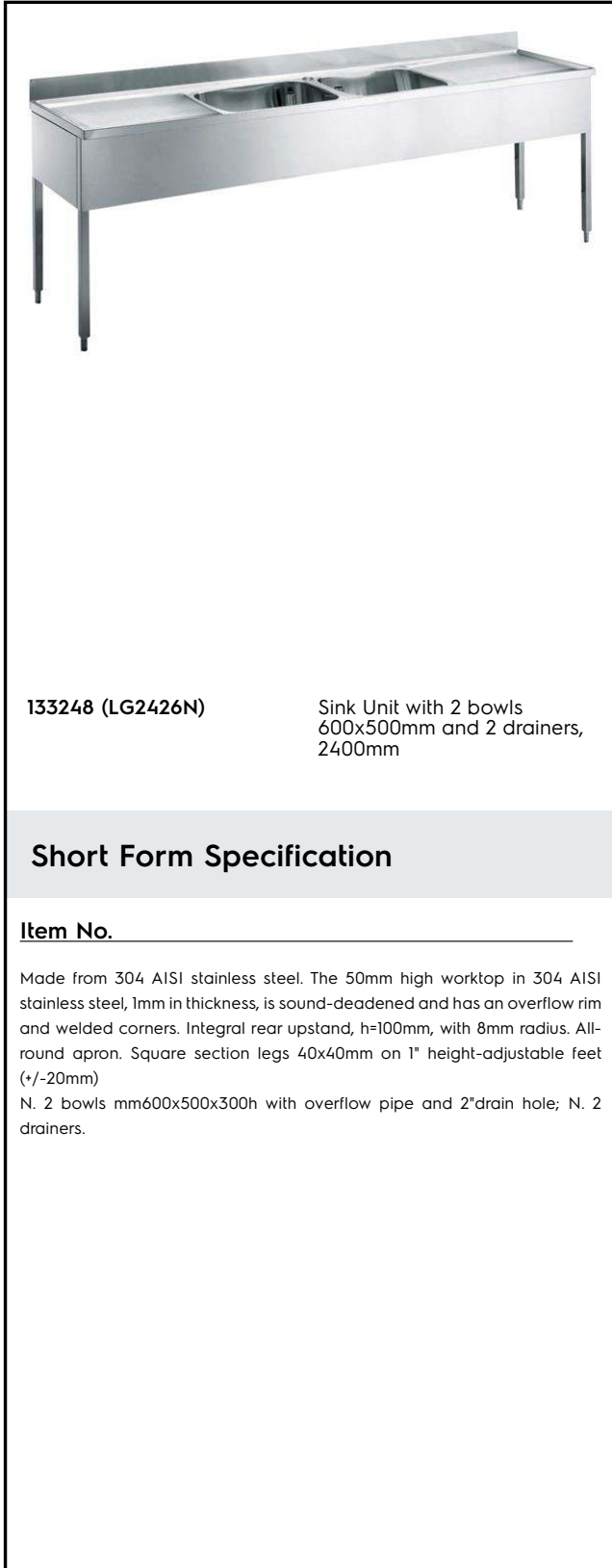
ITEM # _____

MODEL # _____

NAME # _____

SIS # _____

AIA # _____



133248 (LG2426N)

Sink Unit with 2 bowls
600x500mm and 2 drainers,
2400mm

Short Form Specification

Item No. _____

Made from 304 AISI stainless steel. The 50mm high worktop in 304 AISI stainless steel, 1mm in thickness, is sound-deadened and has an overflow rim and welded corners. Integral rear upstand, h=100mm, with 8mm radius. All-round apron. Square section legs 40x40mm on 1" height-adjustable feet (+/-20mm)

N. 2 bowls mm600x500x300h with overflow pipe and 2'drain hole; N. 2 drainers.

Construction

- 50 mm worktop in 304 AISI stainless steel, 10/10 in thickness with overflow rim along the top.
- Sink bowl in 304 AISI stainless steel, supplied with overflow drain pipe and drain hole.
- 100 mm upstand with 8 mm radiused corner and 13 mm deep, designed to be used against a wall.
- Square section legs and 40 mm height-adjustable feet in 304 AISI stainless steel.
- Sink tops easily slotted onto the legs and taps are easily installed from the rear.
- Accessories available on request: lower shelf, tap unit, false bowl bottom, overflow filter, single or double syphons.

Optional Accessories

- False bottom for right hand PNC 895100
600x500mm Bowl
- Overflow filter for bowl (H=180 PNC 895130
mm)
- Overflow filter for bowl (H=230 PNC 895131
mm)
- Overflow filter for bowl (H=330 PNC 895132
mm)
- False bottom for right and left PNC 895200
hand 500x500 mm bowl

APPROVAL: _____

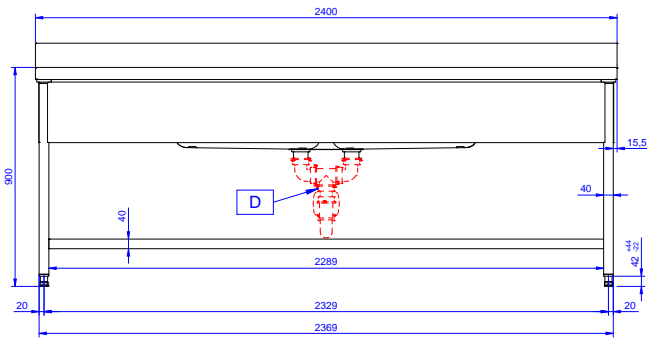


Experience the Excellence
www.electroluxprofessional.com

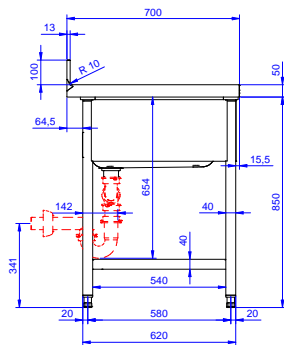
Key Information:

External dimensions, Width:	2400 mm
133248 (LG2426N)	
External dimensions, Depth:	700 mm
External dimensions, Height:	1000 mm
Upstand Dimensions, Height:	100 mm
Upstand Dimensions, Depth:	13 mm
Upstand Dimensions, Radius:	R=8
Bowls number	2
Bowl dimensions	600x500xH300
Worktop thickness:	50 mm
Net weight:	70 kg

Front



Side



D = Drain

Top

